

On-Grade Finished Area Floor Drains

FD-230-A Combined Floor Drain/Cleanout with Integral Trap

Model Number	Weight (lbs.)	Str. Size	Outlet Size	Strainer	List Price
FD-232, 3, 4-A5	57	5"	2, 3, 4"	nickel bronze	\$1,416.00
FD-232, 3, 4-A6	58	6"	2, 3, 4"	nickel bronze	1,524.00
FD-232, 3, 4-A7	60	7"	2, 3, 4"	nickel bronze	1,615.00
FD-232, 3, 4-M5	60	5"	2, 3, 4"	nickel bronze	1,579.00
FD-232, 3, 4-M6	60	6"	2, 3, 4"	nickel bronze	1,651.50

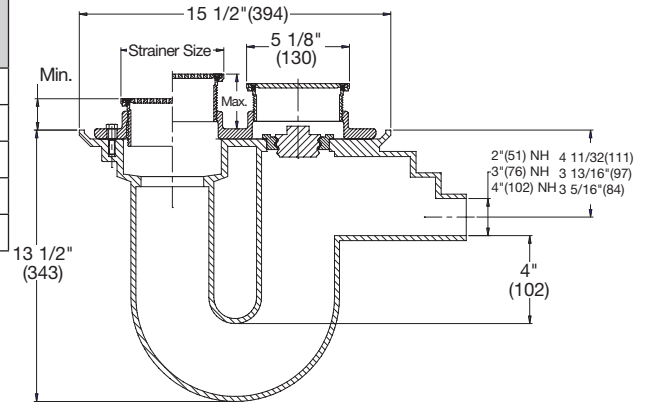
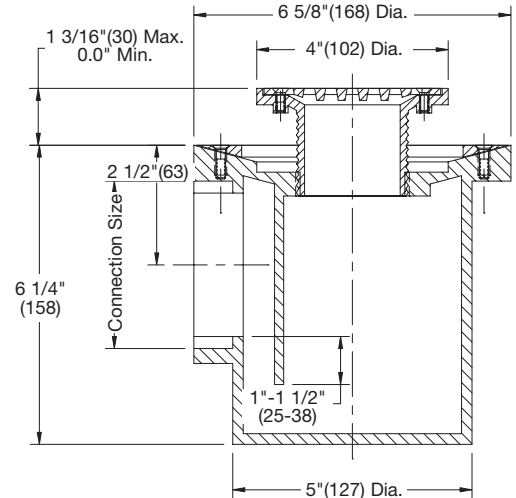


Chart A		
Str. Size	Min.	Max.
5" Dia.	1 7/16"	2 1/4"
6" Dia.	1 9/16"	2 3/8"
7" Dia.	1 11/16"	3 1/4"
5" Sq.	7/8"	3 1/4"
6" Sq.	1"	3 1/4"

Options for FD-230 Series:					
Suffix	Description	List Price	Suffix	Description	List Price
-7	Trap Primer Tapping	\$150.00	-F6-1	6" Round Nickel Bronze Funnel	\$625.50
-15	Strainer Extension (DD-50)	141.00	-G-50	4x9" Oval Cast Iron Funnel	423.00
-F4-50	4" Round Cast Iron Funnel	179.00	-G-1	4x9" Oval Nickel Bronze Funnel	872.00
-F4-1	4" Round Nickel Bronze Funnel	428.00			

FD-240 Prison Cell Floor Drain

Model Number	Weight (lbs.)	Str. Size	Outlet Size	Strainer	List Price
FD-242,	15	4"	2"	nickel bronze	\$1,005.00
FD-243	14	4"	3"	nickel bronze	1,121.00



Note: Funnel are ordered separately.
See page 63 for details.

Options for FD-240 Series		
Suffix	Description	List Price
-7	Trap Primer Tapping	\$150.00
-CP	Chrome Plated Top	259.00

Consult factory for all applications outside of listed parameters.
Prices do not include applicable taxes.

